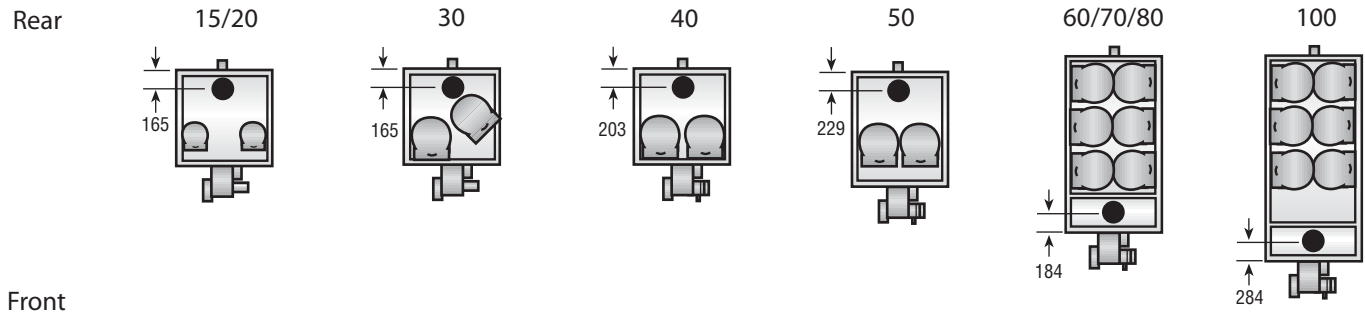


Air Outlet & Flue Arrangements

All dimensions shown in mm.

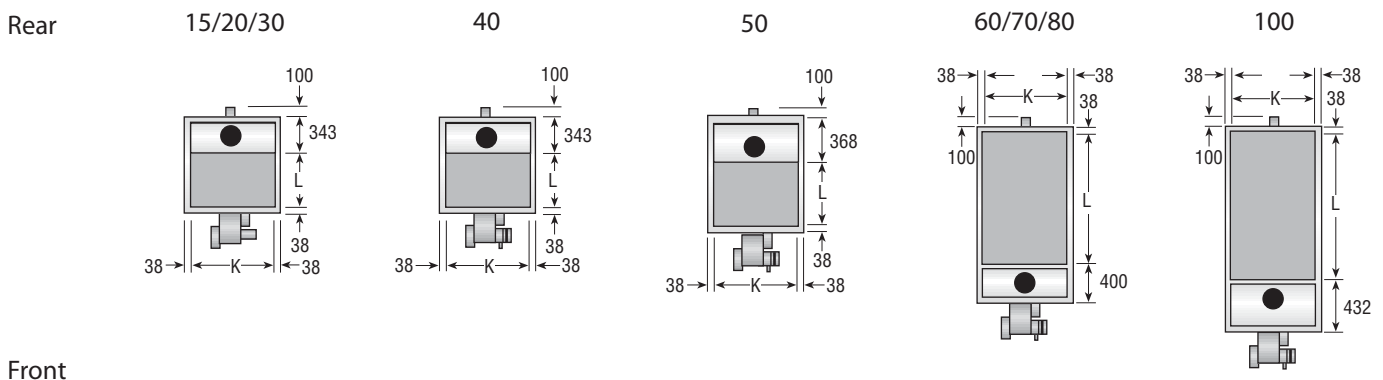
Vertical and Horizontal Heaters - Free Blowing



Note: Models 15 and 20 are fitted with 9 inch diameter discharge heads as standard.
Models 30 to 100 are fitted with 14 inch diameter discharge heads as standard.

Vertical and Horizontal Heaters - Air Outlet Spigots

All dimensions shown in mm.



Outlet Spigot Dimensions

Model		15/20/30	40	50	60/70/80	100
K – Spigot Width	[mm]	648	781	781	940	940
L – Spigot Depth	[mm]	476	476	610	1238	1524

Roberts-Gordon Europe Limited
Oxford Street
Bilston, West Midlands WV14 7EG UK
Telephone: +44(0) 1902 494425
Fax: +44(0) 1902 403200
Service Telephone: +44(0) 1902 498733
Service Fax: +44(0) 1902 401464
E-mail: uksales@rg-inc.com
E-mail: export@rg-inc.com

Corporate Headquarters (USA)
Roberts-Gordon, LLC
Telephone: +1 716.852.4400
Fax: +1 716.852.0854

www.rg-inc.com